

TECHNICAL DATA

ENCLOSURE :-
EX-d AS PER IS/IEC 60079-1:2007

PROTECTION :-
IP-66 AS PER IS 12063-1987 (IS/IEC 60529:2001)

AREA CLASSIFICATION :-
ZONE -1 & 2

TEMPERATURE CLASS :-
T6

GAS GROUPS :-
IIA, IIB & IIC

MATERIAL OF CONSTRUCTION :-
DIE CAST AL. ALLOY LM-6

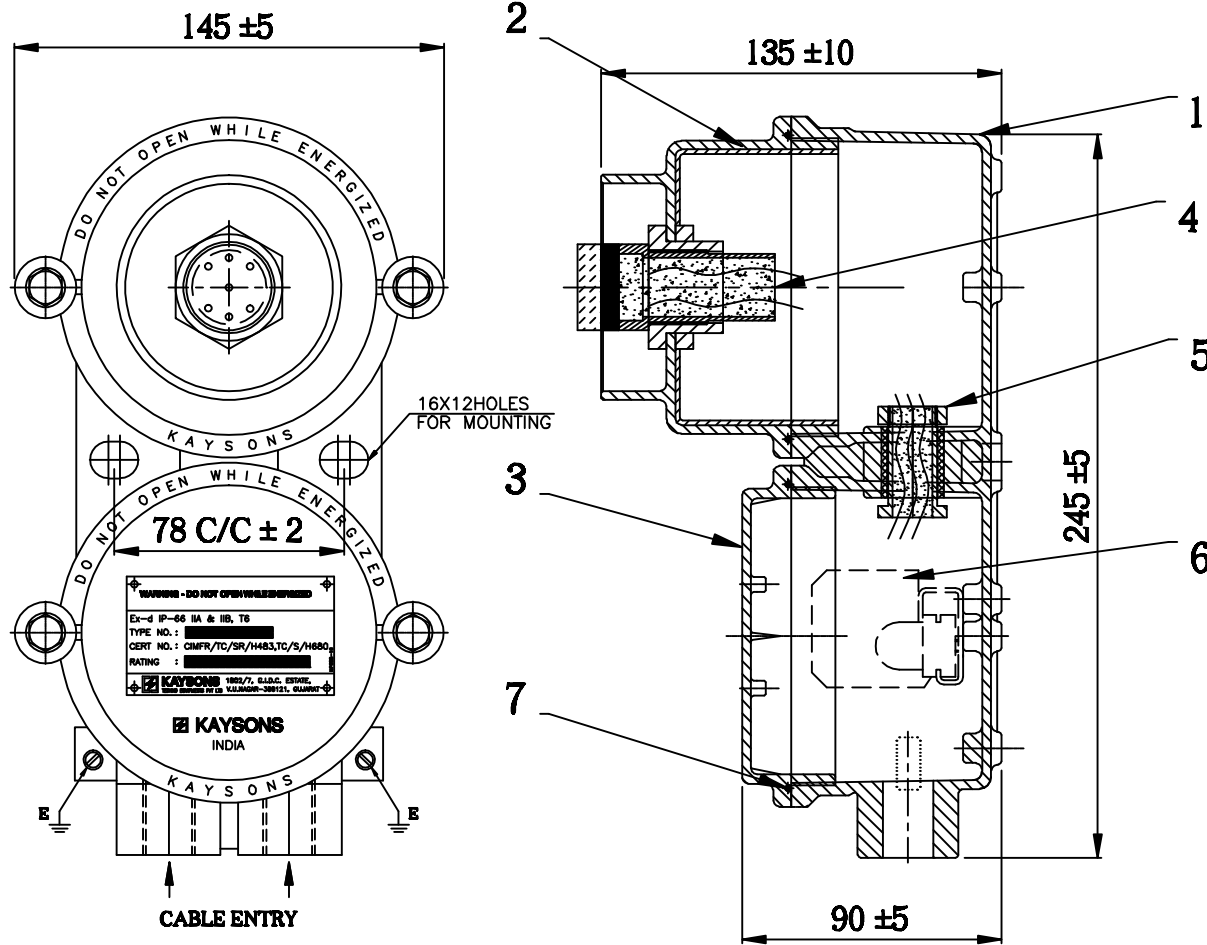
HARDWARE :-
STEEL ZINC PLATED/STAINLESS STEEL

FINISH :-
LIGHT GREY | YELLOW
FOR IIA & IIB | FOR IIC

EARTHING :-
1 NO. INSIDE & 2 NOS. OUTSIDE

CABLE ENTRY :-
3/4"ET - 02NOS.

NO.	DESCRIPTION	QTY	MAT./RATING
07.	GASKET (ENDLESS, MOULDED)	2	NEOPRENE
06.	TERMINAL	A.R.	CLIPON TYPE RAIL MOUNTED
05.	WIRE BUSH	1	GLASSFEEL NYLONE
04.	BUZZER	1	A.R.
03.	TERMINAL BOX COVER	1	DIE CAST AL. ALLOY
02.	MAIN BODY COVER	1	DIE CAST AL. ALLOY
01.	BODY	1	DIE CAST AL. ALLOY



ISSUE	DATE	BY	MODIFICATION

CLIENT		DRAWN	MBP	DESCRIPTION:- FLAMEPROOF WEATHERPROOF BUZZER
CONSULTANT		CH'D	MBP	
P.O.No.		APP'D	MBP	
		1802/7, G.I.D.C. ESTATE, V.U.NAGAR 388121. (GUJARAT)		SHT.NO. 1 OF 1 REV. 0 DRG.NO.:- C02